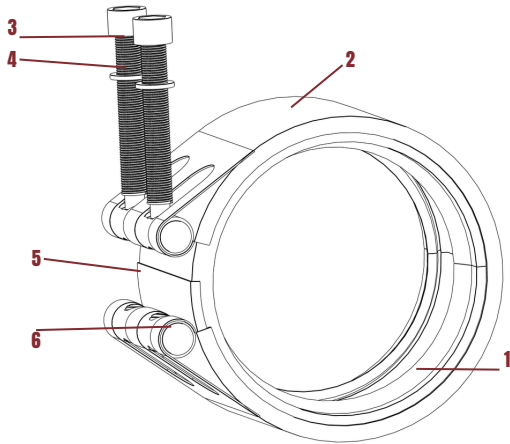




GCF FLEX COUPLING TECHNICAL DETAILS

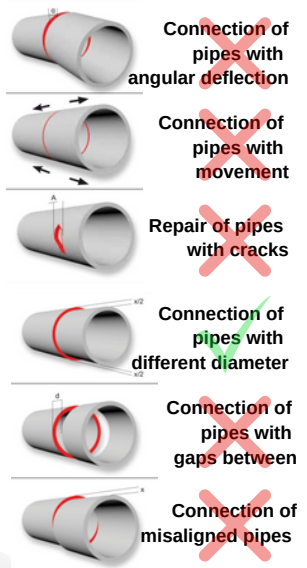


No	Description	Explain
1	Gasket	EPDM, NBR or Silicone.
2	Body	Stainless steel AISI 304 or AISI 316.
3	Bolt	Stainless steel AISI 304, AISI 316 or 12.9 Steel.
4	Washer	Brass
5	Armour Sheet	Stainless steel AISI 304 or AISI 316.
6	Milbar	Stainless steel AISI 304, AISI 316 or AISI 1040.

Sealing gasket

- EPDM
Suitable for water, air and some chemical products. From -20°C to 100°C.
- NBR
Suitable for fuel, gas and some hydrocarbons. From -20°C to 80°C.
- Silicone
Suitable for drinking water and domestic water. From -55°C to 200°C.

Following types of damage can be repaired



DN	Working Pressure		Width (mm)				Bolt Size (M X psc.)				Torque	
	bar	psi	95	120	140	200	95	120	140	200	N.m	Lbf.ft
60	24	348	x				M10x2				30	22
80	24	348	x				M10x2				40	30
100	16	232		x			M12x2				40	30
125	16	232		x			M12x2				40	30
150	16	232		x	x	x	M12x2	M12x2	M12x3		45	33
175	16	232		x	x	x	M12x2	M12x2	M12x3		45	33
200	16	232		x	x	x	M12x2	M12x2	M12x3		50	37
250	16	232		x	x	x	M12x2	M12x2	M12x3		50	37
300	12	174		x	x	x	M12x2	M12x2	M12x3		55	41
350	12	174			x	x	M16x2	M16x3			60	44
400	12	174			x	x	M16x2	M16x3			65	48
450	12	174			x	x	M16x2	M16x3			65	48
500	12	174			x	x	M16x2	M16x3			70	52
600	12	174			x	x	M16x2	M16x3			75	55
700	10	145			x	x	M20x2	M20x3			85	63
800	10	145			x	x	M20x2	M20x3			105	77
900	10	145			x	x	M20x2	M20x3			130	96
1000	10	145			x	x	M20x2	M20x3			140	103
1100	10	145			x	x	M20x2	M20x3			145	107
1200	10	145			x	x	M20x2	M20x3			155	114

*Large, different diameters can be produced on request, please ask our sales department.

Advantages

