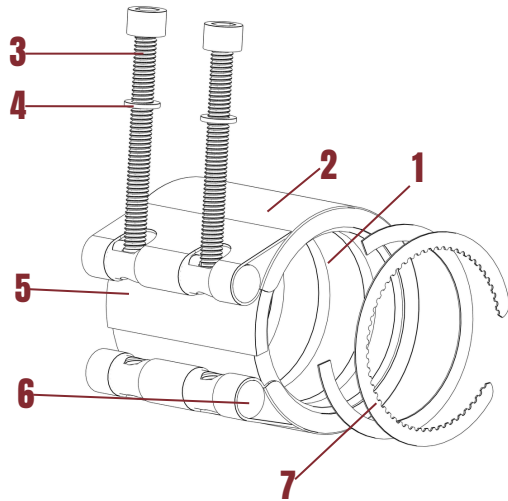




# GCG GRIP COUPLING TECHNICAL DETAILS



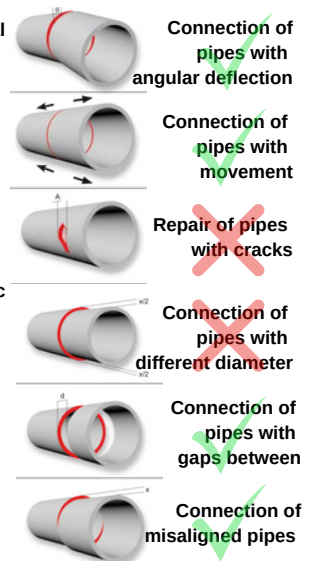
No	Description	Explain
----	-------------	---------

1	Gasket	EPDM, NBR, Viton or Silicone.
2	Body	Stainless steel AISI 304 or AISI 316.
3	Bolt	Stainless steel AISI 304, AISI 316 or 12.9 Steel.
4	Washer	Brass
5	Armour Sheet	Stainless steel AISI 304 or AISI 316.
6	Milbar	Stainless steel AISI 304, AISI 316 or AISI 1040.
7	Gripper	Stainless steel AISI 304 or AISI 316.

## Sealing gasket

- EPDM  
Suitable for water, air and some chemical products. From -20°C to 100°C.
- NBR  
Suitable for fuel, gas and some hydrocarbons. From -20°C to 80°C.
- Viton  
Suitable for several chemicals. From -40°C to 220°C.
- Silicone  
Silicone Suitable for drinking water and domestic water. From -55°C to 200°C.

## Following types of damage can be repaired



DN	O.D. (mm)	W.P.		Lenght (mm)			Milbar O.D mm	bolts Mxpcs.	torque	
		(bar)	psi	95	120	200			N.m	lbf.ft
60	60,3	30	435	x			14	M8x2	30	22
60	63	30	435	x			14	M8x2	30	22
80	88,9	30	435	x			18	M10x2	30	22
80	90	30	435	x			18	M10x2	30	22
100	110	24	348	x			18	M10x2	30	22
100	114,3	24	348	x			18	M10x2	30	22
100	125	24	348		x		18	M10x2	35	26
125	139,7	24	348		x		18	M12x2	35	26
125	140	24	348		x		18	M12x2	35	26
150	160	24	348		x		18	M12x2	35	26
150	168,3	24	348		x		18	M12x2	40	30
150	180	24	348		x		22	M12x2	40	30
200	200	16	232			x	22	M12x3	40	30
200	219,3	16	232			x	22	M12x3	40	30
200	225	16	232			x	22	M12x3	40	30
250	250	16	232			x	22	M12x3	45	33
250	273	16	232			x	22	M12x3	45	33
250	280	16	232			x	22	M12x3	45	33
300	315	12	174			x	22	M12x3	50	37
300	323,9	12	174			x	22	M12x3	50	37

## Advantages

- Easy to fit
- Light weight
- Fast to fit
- Storage space saving
- Cost saving installation

\*Large ,different diameters can be produced on request, please ask our sales department.