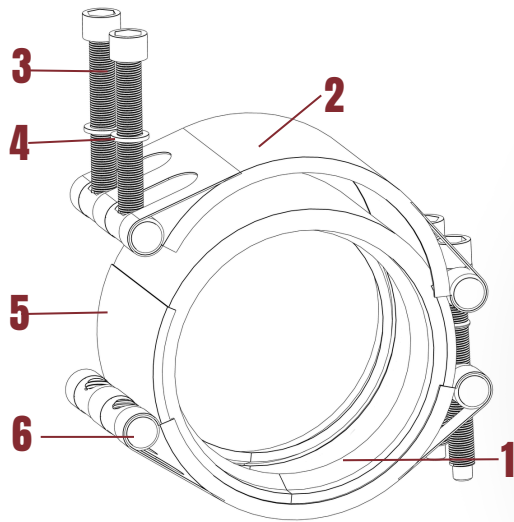


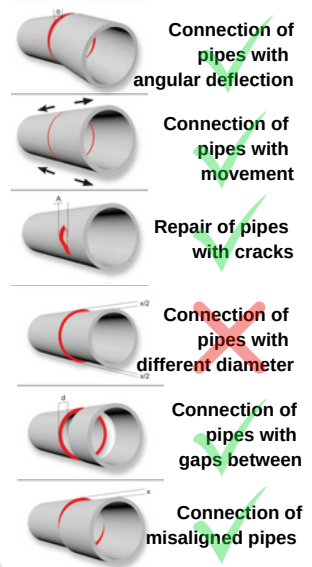


GCR120 REPAIR COUPLING TECHNICAL DETAILS



No	Description	Explain
1	Gasket	EPDM, NBR, Viton or Silicone.
2	Body	Stainless steel AISI 304 or AISI 316.
3	Bolt	Stainless steel AISI 304, AISI 316 or 12.9 Steel.
4	Washer	Brass
5	Armour Sheet	Stainless steel AISI 304 or AISI 316.
6	Milbar	Stainless steel AISI 304, AISI 316 or AISI 1040.

Following types of damage can be repaired



Sealing gasket

- EPDM**
Suitable for water, air and some chemical products. From -20°C to 100°C.
- NBR**
Suitable for fuel, gas and some hydrocarbons. From -20°C to 80°C.
- Viton**
Suitable for several chemicals. From -40°C to 220°C.
- Silicone**
Silicone Suitable for drinking water and domestic water. From -55°C to 200°C.

Advantages

Range	Width	Pressure		Milbars Dia.	Bolts Size	Torque	
mm	mm	bar	psi	mm	Mxpcs.	N.m	Lbf.ft
88-100	120	30	435	18	M10X4	40	30
98-110	120	30	435	18	M10X4	40	30
108-120	120	24	348	18	M10X4	40	30
118-130	120	24	348	18	M10X4	40	30
128-140	120	24	348	18	M10X4	40	30
138-150	120	24	348	18	M10X4	40	30

*Large ,different diameters can be produced on request, please ask our sales department.

- Easy to fit
- Light weight
- Fast to fit
- Storage space saving
- Cost saving installation