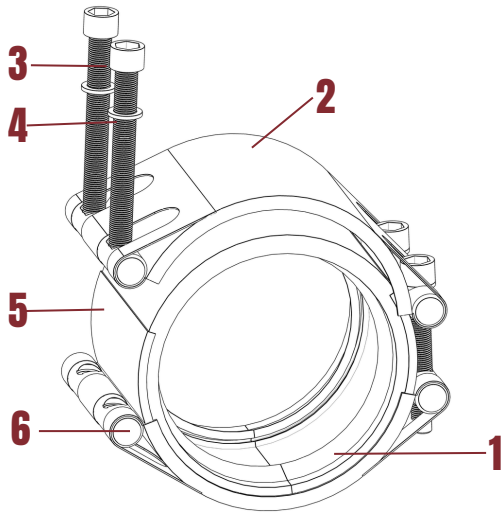


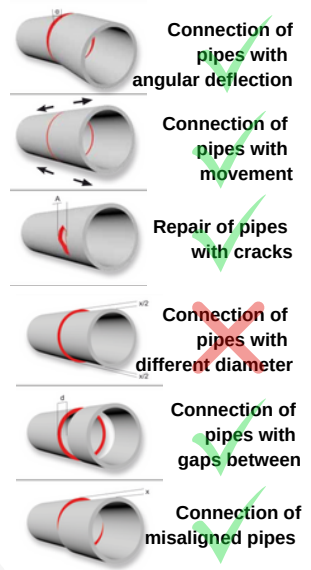


GCR140 REPAIR COUPLING TECHNICAL DETAILS



No	Description	Explain
1	Gasket	EPDM, NBR, Viton or Silicone.
2	Body	Stainless steel AISI 304 or AISI 316.
3	Bolt	Stainless steel AISI 304, AISI 316 or 12.9 Steel.
4	Washer	Brass
5	Armour Sheet	Stainless steel AISI 304 or AISI 316.
6	Milbar	Stainless steel AISI 304, AISI 316 or AISI 1040.

Following types of damage can be repaired

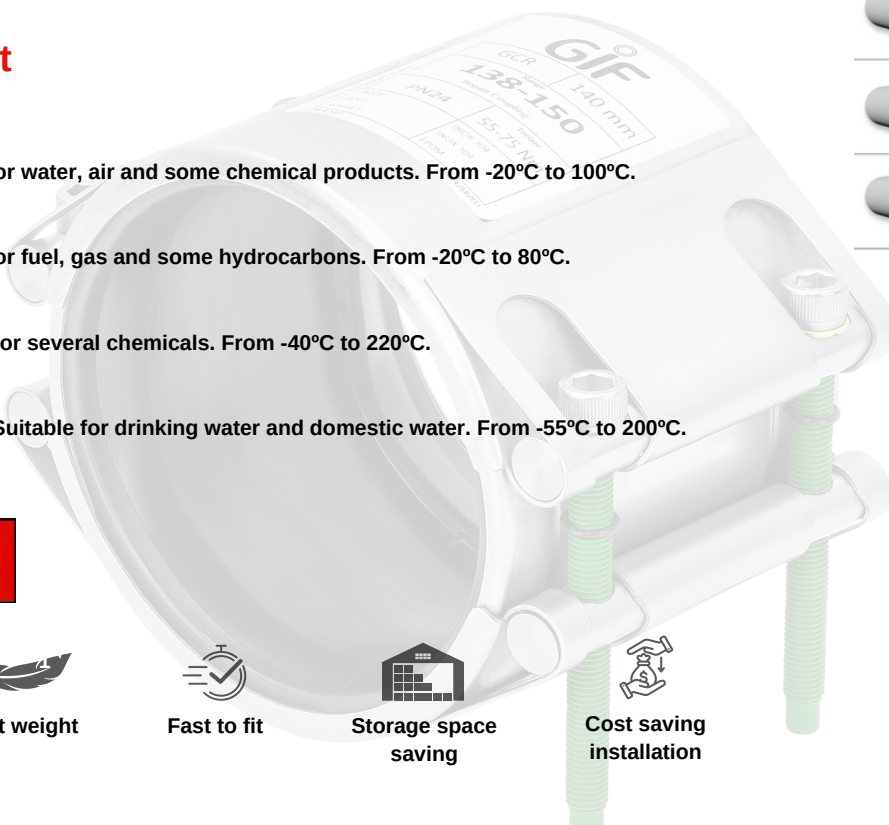


Sealing gasket

- EPDM**
 Suitable for water, air and some chemical products. From -20°C to 100°C.
- NBR**
 Suitable for fuel, gas and some hydrocarbons. From -20°C to 80°C.
- Viton**
 Suitable for several chemicals. From -40°C to 220°C.
- Silicone**
 Silicone Suitable for drinking water and domestic water. From -55°C to 200°C.

Advantages

- Easy to fit
- Light weight
- Fast to fit
- Storage space saving
- Cost saving installation





GCR140 REPAIR COUPLING TECHNICAL DETAILS

Range mm	Width mm	Working Pressure		Milbar Dia. mm	Bolt Size M x pcs.	Torque	
		bar	psi			N.m	Lbf.ft
148-160	140	24	348	18	M12x4	40	30
158-170	140	24	348	18	M12x4	40	30
168-180	140	24	348	18	M12x4	45	33
178-190	140	24	348	18	M12x4	45	33
188-200	140	24	348	18	M12x4	45	33
198-210	140	24	348	22	M12x4	45	33
208-220	140	24	348	22	M12x4	45	33
218-230	140	24	348	22	M12x4	45	33
228-240	140	16	232	22	M12x4	50	37
238-250	140	16	232	22	M12x4	50	37
248-260	140	16	232	22	M12x4	50	37
258-270	140	16	232	22	M12x4	50	37
268-280	140	16	232	22	M12x4	50	37
278-290	140	16	232	22	M12x4	50	37
288-300	140	16	232	22	M12x4	50	37
298-310	140	16	232	22	M12x4	50	37
308-320	140	16	232	22	M12x4	55	41
318-330	140	16	232	22	M12x4	55	41
328-340	140	16	232	22	M12x4	55	41
338-350	140	16	232	22	M12x4	55	41
348-360	140	16	232	22	M12x4	55	41
358-370	140	16	232	24	M16x4	60	44
368-380	140	16	232	24	M16x4	60	44
378-390	140	16	232	24	M16x4	60	44
388-400	140	16	232	24	M16x4	60	44
398-410	140	16	232	24	M16x4	60	44
408-420	140	12	174	24	M16x4	60	44
418-430	140	12	174	24	M16x4	60	44
428-440	140	12	174	24	M16x4	65	48
438-450	140	12	174	24	M16x4	65	48
448-460	140	12	174	24	M16x4	65	48
458-470	140	12	174	24	M16x4	65	48
468-480	140	12	174	24	M16x4	65	48
478-490	140	12	174	24	M16x4	65	48
488-500	140	12	174	24	M16x4	65	48
498-510	140	12	174	24	M16x4	65	48
508-520	140	12	174	24	M16x4	70	52
518-530	140	12	174	24	M16x4	70	52
528-540	140	12	174	24	M16x4	70	52
538-550	140	12	174	24	M16x4	70	52
548-560	140	12	174	24	M16x4	70	52
558-570	140	12	174	24	M16x4	70	52
568-580	140	12	174	24	M16x4	75	55
578-590	140	12	174	24	M16x4	75	55
588-600	140	12	174	24	M16x4	75	55
598-610	140	12	174	24	M16x4	75	55
608-620	140	12	174	24	M16x4	75	55
616-630	140	12	174	24	M16x4	75	55
628-640	140	12	174	24	M16x4	80	59
638-650	140	12	174	24	M16x4	80	59
648-660	140	12	174	24	M16x4	80	59

*Large ,different diameters can be produced on request, please ask our sales department.