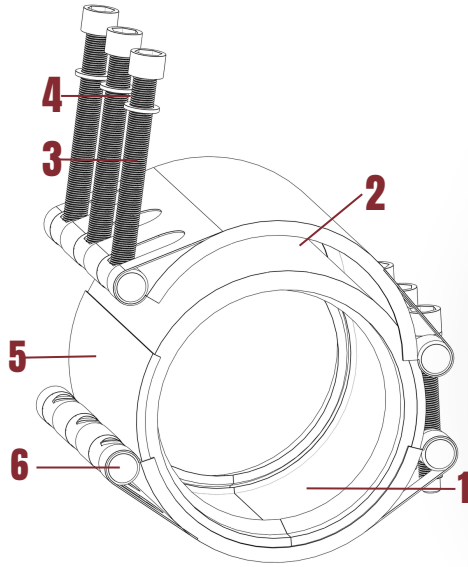


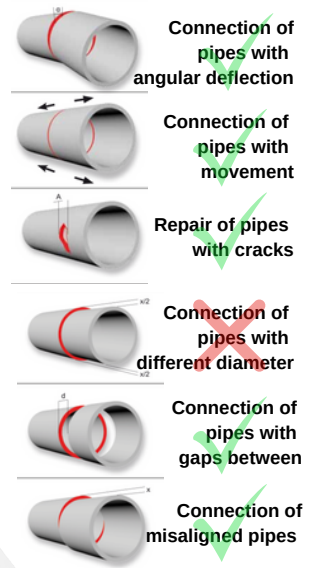


GCR200 REPAIR COUPLING TECHNICAL DETAILS



No	Description	Explain
1	Gasket	EPDM, NBR, Viton or Silicone.
2	Body	Stainless steel AISI 304 or AISI 316.
3	Bolt	Stainless steel AISI 304, AISI 316 or 12.9 Steel.
4	Washer	Brass
5	Armour Sheet	Stainless steel AISI 304 or AISI 316.
6	Milbar	Stainless steel AISI 304, AISI 316 or AISI 1040.

Following types of damage can be repaired

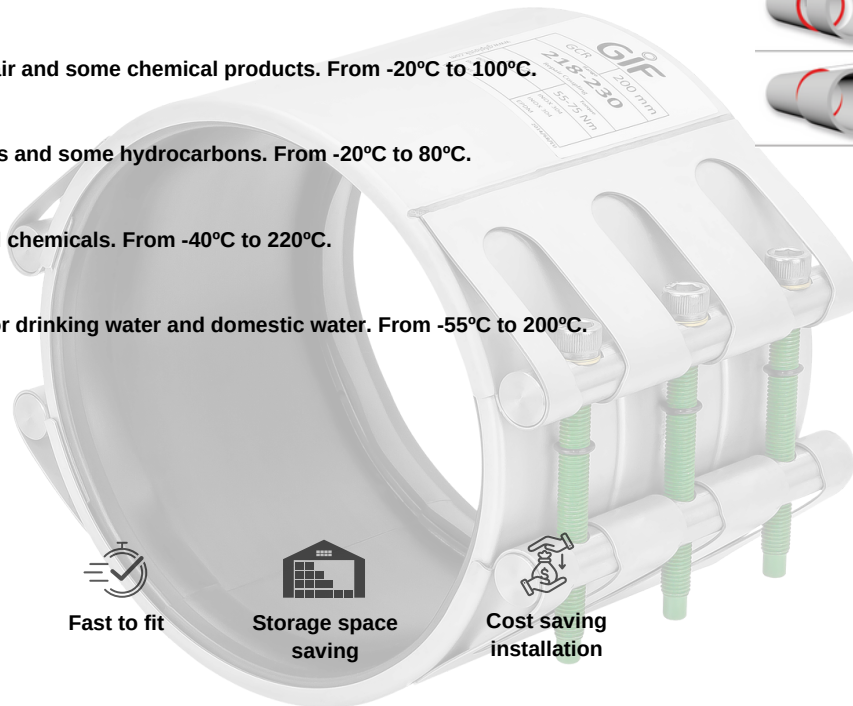


Sealing gasket

- EPDM**
 Suitable for water, air and some chemical products. From -20°C to 100°C.
- NBR**
 Suitable for fuel, gas and some hydrocarbons. From -20°C to 80°C.
- Viton**
 Suitable for several chemicals. From -40°C to 220°C.
- Silicone**
 Silicone Suitable for drinking water and domestic water. From -55°C to 200°C.

Advantages

- Easy to fit**
- Light weight**
- Fast to fit**
- Storage space saving**
- Cost saving installation**





GCR200 REPAIR COUPLING TECHNICAL DETAILS

Range mm	Width mm	Pressure bar	Pressure psi	Milbars Dia. mm	Bolts Size Mxpcs.	Torque N.m	Torque Lbf.ft
148-160	200	24	348	22	M12x6	40	30
158-170	200	24	348	22	M12x6	40	30
168-180	200	24	348	22	M12x6	45	33
178-190	200	24	348	22	M12x6	45	33
188-200	200	24	348	22	M12x6	45	33
198-210	200	24	348	22	M12x6	45	33
208-220	200	24	348	22	M12x6	45	33
218-230	200	24	348	22	M12x6	45	33
228-240	200	16	232	22	M12x6	50	37
238-250	200	16	232	22	M12x6	50	37
248-260	200	16	232	22	M12x6	50	37
258-270	200	16	232	22	M12x6	50	37
268-280	200	16	232	22	M12x6	50	37
278-290	200	16	232	22	M12x6	50	37
288-300	200	16	232	22	M12x6	50	37
298-310	200	16	232	22	M12x6	50	37
308-320	200	16	232	22	M12x6	55	41
318-330	200	16	232	22	M12x6	55	41
328-340	200	16	232	22	M12x6	55	41
338-350	200	16	232	22	M12x6	55	41
348-360	200	16	232	22	M12x6	55	41
358-370	200	16	232	24	M16x6	60	44
368-380	200	16	232	24	M16x6	60	44
378-390	200	16	232	24	M16x6	60	44
388-400	200	16	232	24	M16x6	60	44
398-410	200	16	232	24	M16x6	60	44
408-420	200	16	232	24	M16x6	60	44
418-430	200	16	232	24	M16x6	60	44
428-440	200	12	174	24	M16x6	65	48
438-450	200	12	174	24	M16x6	65	48
448-460	200	12	174	24	M16x6	65	48
458-470	200	12	174	24	M16x6	65	48
468-480	200	12	174	24	M16x6	65	48
478-490	200	12	174	24	M16x6	65	48
488-500	200	12	174	24	M16x6	65	48
498-510	200	12	174	24	M16x6	65	48
508-520	200	12	174	24	M16x6	70	52
518-530	200	12	174	24	M16x6	70	52
528-540	200	12	174	24	M16x6	70	52
538-550	200	12	174	24	M16x6	70	52
548-560	200	12	174	24	M16x6	70	52
558-570	200	12	174	24	M16x6	70	52
568-580	200	12	174	24	M16x6	75	55
578-590	200	12	174	24	M16x6	75	55
588-600	200	12	174	24	M16x6	75	55

*Large ,different diameters can be produced on request, please ask our sales department.



GCR200 REPAIR COUPLING TECHNICAL DETAILS

Range	Width	Pressure	Pressure	Milbars Dia.	Bolts Size	Torque	Torque
mm	mm	bar	psi	mm	Mxpcs.	N.m	Lbf.ft
598-610	200	12	174	24	M16x6	75	55
608-620	200	12	174	24	M16x6	75	55
616-630	200	12	174	24	M16x6	75	55
628-640	200	12	174	24	M16x6	80	59
638-650	200	12	174	24	M16x6	80	59
648-660	200	12	174	24	M16x6	80	59
658-670	200	12	174	24	M16x6	80	59
668-680	200	12	174	24	M16x6	80	59
678-690	200	10	145	24	M16x6	80	59
688-700	200	10	145	24	M16x6	80	59
698-710	200	10	145	24	M16x6	80	59
708-720	200	10	145	30	M20x6	85	63
718-730	200	10	145	30	M20x6	85	63
728-740	200	10	145	30	M20x6	85	63
738-750	200	10	145	30	M20x6	85	63
748-760	200	10	145	30	M20x6	85	63
758-770	200	10	145	30	M20x6	85	63
768-780	200	10	145	30	M20x6	90	66
778-790	200	10	145	30	M20x6	90	66
788-800	200	10	145	30	M20x6	105	77
798-810	200	10	145	30	M20x6	105	77
808-820	200	10	145	30	M20x6	105	77
818-830	200	10	145	30	M20x6	105	77
828-840	200	10	145	30	M20x6	105	77
838-850	200	10	145	30	M20x6	105	77
848-860	200	10	145	30	M20x6	105	77
858-870	200	10	145	30	M20x6	105	77
868-880	200	10	145	30	M20x6	120	89
878-890	200	10	145	30	M20x6	120	89
888-900	200	10	145	30	M20x6	125	92
898-910	200	10	145	30	M20x6	125	92
908-920	200	10	145	30	M20x6	125	92
918-930	200	10	145	30	M20x6	125	92
928-940	200	10	145	30	M20x6	130	96
938-950	200	10	145	30	M20x6	130	96
948-960	200	10	145	30	M20x6	130	96
958-970	200	10	145	30	M20x6	130	96
968-980	200	10	145	30	M20x6	130	96
978-990	200	10	145	30	M20x6	130	96
988-1000	200	10	145	30	M20x6	135	100
998-1010	200	10	145	30	M20x6	135	100
1008-1020	200	10	145	30	M20x6	135	100
1018-1030	200	10	145	30	M20x6	135	100
1028-1040	200	10	145	30	M20x6	140	103
1038-1050	200	10	145	30	M20x6	140	103

*Large ,different diameters can be produced on request, please ask our sales department.



GCR200 REPAIR COUPLING TECHNICAL DETAILS

Range	Width	Pressure	Pressure	Milbars Dia.	Bolts Size	Torque	Torque
mm	mm	bar	psi	mm	Mxpcs.	N.m	Lbf.ft
1048-1060	200	10	145	30	M20x6	140	103
1058-1070	200	10	145	30	M20x6	140	103
1068-1080	200	10	145	30	M20x6	140	103
1078-1090	200	10	145	30	M20x6	140	103
1088-1100	200	10	145	30	M20x6	145	107
1098-1110	200	10	145	30	M20x6	145	107
1108-1120	200	10	145	30	M20x6	145	107
1118-1130	200	10	145	30	M20x6	145	107
1128-1140	200	10	145	30	M20x6	150	111
1138-1150	200	10	145	30	M20x6	150	111
1148-1160	200	10	145	30	M20x6	150	111
1158-1170	200	10	145	30	M20x6	150	111
1168-1180	200	10	145	30	M20x6	150	111
1178-1190	200	10	145	30	M20x6	150	111
1188-1200	200	10	145	30	M20x6	155	114
1198-1210	200	10	145	30	M20x6	155	114
1208-1220	200	10	145	30	M20x6	155	114
1218-1230	200	10	145	30	M20x6	155	114
1228-1240	200	10	145	30	M20x6	155	114
1238-1250	200	10	145	30	M20x6	155	114
1248-1260	200	10	145	30	M20x6	160	118
1258-1270	200	10	145	30	M20x6	160	118
1268-1280	200	10	145	30	M20x6	160	118
1278-1290	200	10	145	30	M20x6	160	118
1288-1300	200	10	145	30	M20x6	165	122

*Large ,different diameters can be produced on request, please ask our sales department.