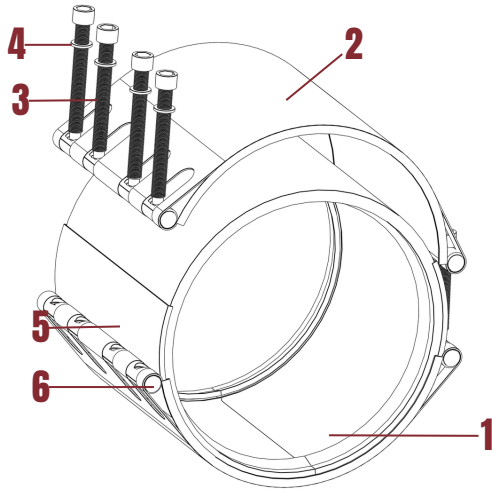


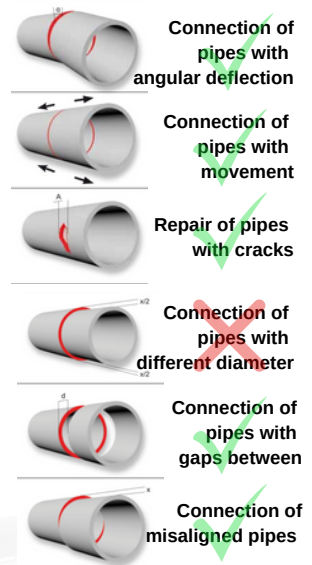


GCR300 REPAIR COUPLING TECHNICAL DETAILS



No	Description	Explain
1	Gasket	EPDM, NBR or Silicone.
2	Body	Stainless steel AISI 304 or AISI 316.
3	Bolt	Stainless steel AISI 304, AISI 316 or 12.9 Steel.
4	Washer	Brass
5	Armour Sheet	Stainless steel AISI 304 or AISI 316.
6	Milbar	Stainless steel AISI 304, AISI 316 or AISI 1040.

Following types of damage can be repaired

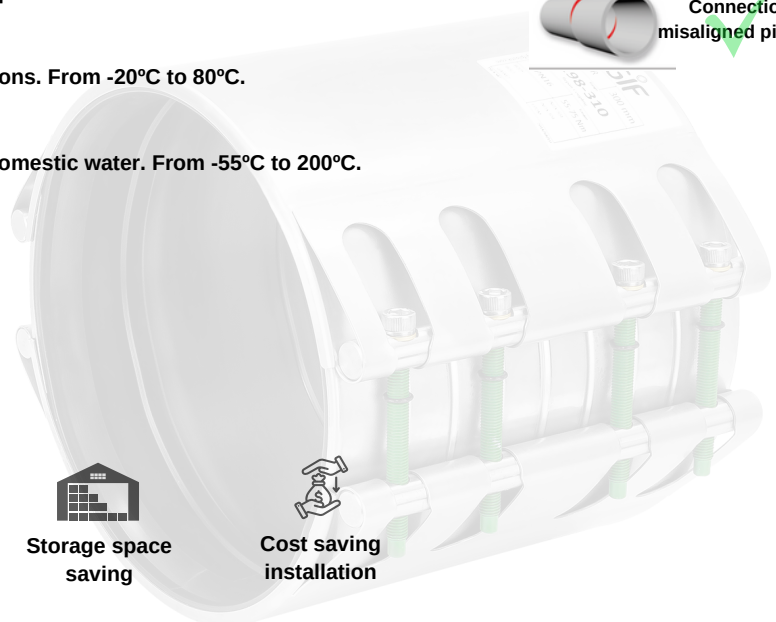


Sealing gasket

- EPDM**
 Suitable for water, air and some chemical products. From -20°C to 100°C.
- NBR**
 Suitable for fuel, gas and some hydrocarbons. From -20°C to 80°C.
- Silicone**
 Suitable for drinking water and domestic water. From -55°C to 200°C.

Advantages

- Easy to fit
- Light weight
- Fast to fit
- Storage space saving
- Cost saving installation





GCR300 REPAIR COUPLING TECHNICAL DETAILS

Range	Width	Pressure		Milbars Dia.	Bolts Size	Torque	
		bar	psi			N.m	Lbf.ft
198-210	300	24	348	22	M12x8	45	33
208-220	300	24	348	22	M12x8	45	33
218-230	300	24	348	22	M12x8	45	33
228-240	300	16	232	22	M12x8	50	37
238-250	300	16	232	22	M12x8	50	37
248-260	300	16	232	22	M12x8	50	37
258-270	300	16	232	22	M12x8	50	37
268-280	300	16	232	22	M12x8	50	37
278-290	300	16	232	22	M12x8	50	37
288-300	300	16	232	22	M12x8	50	37
298-310	300	16	232	22	M12x8	50	37
308-320	300	16	232	22	M12x8	55	41
318-330	300	16	232	22	M12x8	55	41
328-340	300	16	232	22	M12x8	55	41
338-350	300	16	232	22	M12x8	55	41
348-360	300	16	232	22	M12x8	55	41
358-370	300	16	232	24	M16x8	60	44
368-380	300	16	232	24	M16x8	60	44
378-390	300	16	232	24	M16x8	60	44
388-400	300	16	232	24	M16x8	60	44
398-410	300	16	232	24	M16x8	60	44
408-420	300	16	232	24	M16x8	60	44
418-430	300	16	232	24	M16x8	60	44
428-440	300	12	174	24	M16x8	65	48
438-450	300	12	174	24	M16x8	65	48
448-460	300	12	174	24	M16x8	65	48
458-470	300	12	174	24	M16x8	65	48
468-480	300	12	174	24	M16x8	65	48
478-490	300	12	174	24	M16x8	65	48
488-500	300	12	174	24	M16x8	65	48
498-510	300	12	174	24	M16x8	65	48
508-520	300	12	174	24	M16x8	70	52
518-530	300	12	174	24	M16x8	70	52
528-540	300	12	174	24	M16x8	70	52
538-550	300	12	174	24	M16x8	70	52
548-560	300	12	174	24	M16x8	70	52
558-570	300	12	174	24	M16x8	70	52
568-580	300	12	174	24	M16x8	75	55
578-590	300	12	174	24	M16x8	75	55
588-600	300	12	174	24	M16x8	75	55
598-610	300	12	174	24	M16x8	75	55
608-620	300	12	174	24	M16x8	75	55
616-630	300	12	174	24	M16x8	75	55
628-640	300	12	174	24	M16x8	80	59
638-650	300	12	174	24	M16x8	80	59
648-660	300	12	174	24	M16x8	80	59
658-670	300	12	174	24	M16x8	80	59
668-680	300	12	174	24	M16x8	80	59
678-690	300	10	145	24	M16x8	80	59
688-700	300	10	145	24	M16x8	80	59
698-710	300	10	145	24	M16x8	80	59
708-720	300	10	145	30	M20x8	85	63
718-730	300	10	145	30	M20x8	85	63
728-740	300	10	145	30	M20x8	85	63

*Large ,different diameters can be produced on request, please ask our sales department.



GCR300 REPAIR COUPLING TECHNICAL DETAILS

Range	Width	Pressure		Milbars Dia.	Bolts Size	Torque	
		bar	psi			N.m	Lbf.ft
mm	mm			mm	Mxpcs.		
738-750	300	10	145	30	M20x8	85	63
748-760	300	10	145	30	M20x8	85	63
758-770	300	10	145	30	M20x8	85	63
768-780	300	10	145	30	M20x8	90	66
778-790	300	10	145	30	M20x8	90	66
788-800	300	10	145	30	M20x8	105	77
798-810	300	10	145	30	M20x8	105	77
808-820	300	10	145	30	M20x8	105	77
818-830	300	10	145	30	M20x8	105	77
828-840	300	10	145	30	M20x8	105	77
838-850	300	10	145	30	M20x8	105	77
848-860	300	10	145	30	M20x8	105	77
858-870	300	10	145	30	M20x8	105	77
868-880	300	10	145	30	M20x8	120	89
878-890	300	10	145	30	M20x8	120	89
888-900	300	10	145	30	M20x8	125	92
898-910	300	10	145	30	M20x8	125	92
908-920	300	10	145	30	M20x8	125	92
918-930	300	10	145	30	M20x8	125	92
928-940	300	10	145	30	M20x8	130	96
938-950	300	10	145	30	M20x8	130	96
948-960	300	10	145	30	M20x8	130	96
958-970	300	10	145	30	M20x8	130	96
968-980	300	10	145	30	M20x8	130	96
978-990	300	10	145	30	M20x8	130	96
988-1000	300	10	145	30	M20x8	135	100
998-1010	300	10	145	30	M20x8	135	100
1008-1020	300	10	145	30	M20x8	135	100
1018-1030	300	10	145	30	M20x8	135	100
1028-1040	300	10	145	30	M20x8	140	103
1038-1050	300	10	145	30	M20x8	140	103
1048-1060	300	10	145	30	M20x8	140	103
1058-1070	300	10	145	30	M20x8	140	103
1068-1080	300	10	145	30	M20x8	140	103
1078-1090	300	10	145	30	M20x8	140	103
1088-1100	300	10	145	30	M20x8	145	107
1098-1110	300	10	145	30	M20x8	145	107
1108-1120	300	10	145	30	M20x8	145	107
1118-1130	300	10	145	30	M20x8	145	107
1128-1140	300	10	145	30	M20x8	150	111
1138-1150	300	10	145	30	M20x8	150	111
1148-1160	300	10	145	30	M20x8	150	111
1158-1170	300	10	145	30	M20x8	150	111
1168-1180	300	10	145	30	M20x8	150	111
1178-1190	300	10	145	30	M20x8	150	111
1188-1200	300	10	145	30	M20x8	155	114
1198-1210	300	10	145	30	M20x8	155	114
1208-1220	300	10	145	30	M20x8	155	114
1218-1230	300	10	145	30	M20x8	155	114
1228-1240	300	10	145	30	M20x8	155	114
1238-1250	300	10	145	30	M20x8	155	114
1248-1260	300	10	145	30	M20x8	160	118
1258-1270	300	10	145	30	M20x8	160	118
1268-1280	300	10	145	30	M20x8	160	118
1278-1290	300	10	145	30	M20x8	160	118
1288-1300	300	10	145	30	M20x8	165	122

*Large ,different diameters can be produced on request, please ask our sales department.