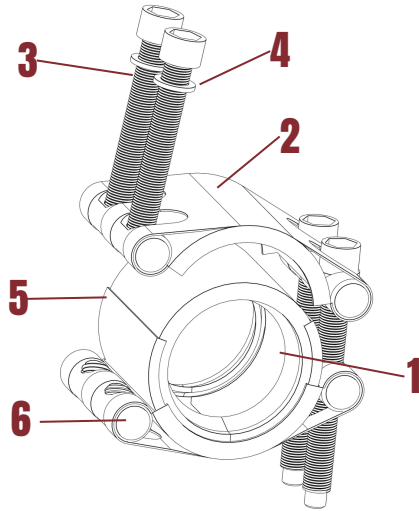


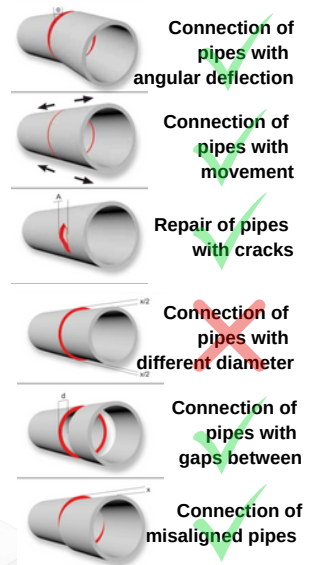


GCR95 REPAIR COUPLING TECHNICAL DETAILS



No	Description	Explain
1	Gasket	EPDM, NBR, Viton or Silicone.
2	Body	Stainless steel AISI 304 or AISI 316.
3	Bolt	Stainless steel AISI 304, AISI 316 or 12.9 Steel.
4	Washer	Brass
5	Armour Sheet	Stainless steel AISI 304 or AISI 316.
6	Milbar	Stainless steel AISI 304, AISI 316 or AISI 1040.

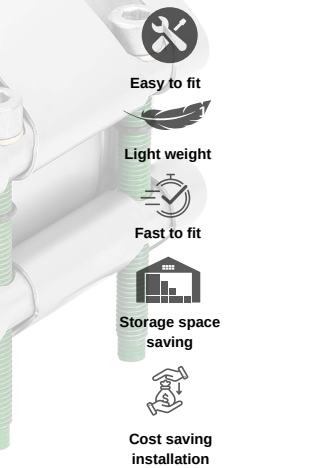
Following types of damage can be repaired



Sealing gasket

- EPDM
Suitable for water, air and some chemical products. From -20°C to 100°C.
- NBR
Suitable for fuel, gas and some hydrocarbons. From -20°C to 80°C.
- Viton
Suitable for several chemicals. From -40°C to 220°C.
- Silicone
Silicone Suitable for drinking water and domestic water. From -55°C to 200°C.

Advantages



Range	Width	Pressure		Milbars Dia.	Bolts Size	Torque	
		bar	psi			N.m	Lbf.ft
60-66	95	30	435	14	M8x4	30	22
66-72	95	30	435	14	M8x4	30	22
70-76	95	30	435	14	M8x4	30	22
73-79	95	30	435	14	M8x4	30	22
87-93	95	30	435	14	M8x4	30	22

*Large ,different diameters can be produced on request, please ask our sales department.