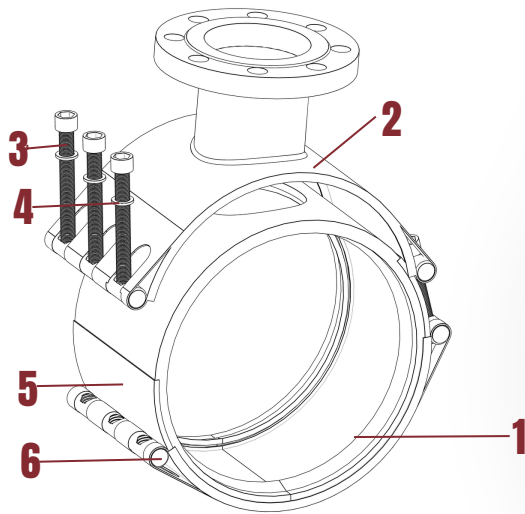




# GCRFO TAPPING TEE REPAIR COUPLING TECHNICAL DETAILS



No	Description	Explain
1	Gasket	EPDM, NBR, Viton or Silicone.
2	Body	Stainless steel AISI 304 or AISI 316.
3	Bolt	Stainless steel AISI 304, AISI 316 or 12.9 Steel.
4	Washer	Brass
5	Armour Sheet	Stainless steel AISI 304 or AISI 316.
6	Milbar	Stainless steel AISI 304, AISI 316 or AISI 1040.

## Sealing gasket

- EPDM  
Suitable for water, air and some chemical products. From -20°C to 100°C.
- NBR  
Suitable for fuel, gas and some hydrocarbons. From -20°C to 80°C.
- Viton  
Suitable for several chemicals. From -40°C to 220°C.
- Silicone  
Silicone Suitable for drinking water and domestic water. From -55°C to 200°C.

Branch DN	Required Min. Body Lenght	Flange drilling	Avaible Min. Range
50	200	PN 10/16	148-160
65	200	PN 10/16	148-160
80	200	PN 10/16	198-210
100	200	PN 10/16	198-210
125	300	PN 10/16	258-260
150	300	PN 10/16	258-260
200	400	PN 10	368-380
250	400	PN 10	368-380

### Advantages



Easy to fit



Light weight



Fast to fit



Storage space saving



Cost saving installation

\*Large ,different diameters can be produced on request, please ask our sales department.