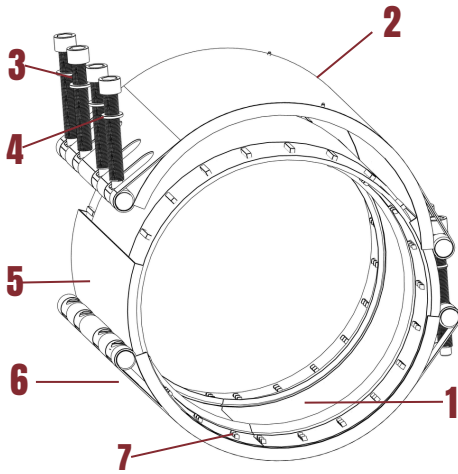




GCRH HDPE CLAMP TECHNICAL DETAILS



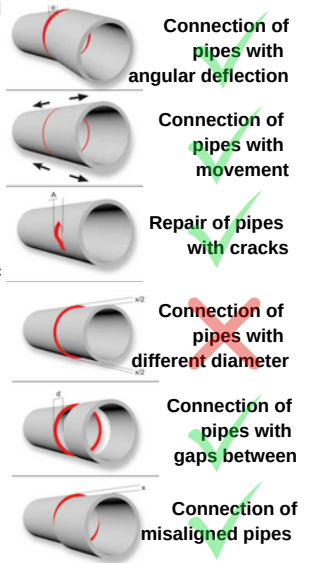
| No | Description | Explain |
|----|-------------|---------|
|----|-------------|---------|

| | | |
|---|--------------|---|
| 1 | Gasket | EPDM, NBR, Viton or Silicone. |
| 2 | Body | Stainless steel AISI 304 or AISI 316. |
| 3 | Bolt | Stainless steel AISI 304, AISI 316 or 12.9 Steel. |
| 4 | Washer | Brass |
| 5 | Armour Sheet | Stainless steel AISI 304 or AISI 316. |
| 6 | Milbar | Stainless steel AISI 304, AISI 316 or AISI 1040. |
| 7 | Gripper | Stainless steel AISI 304, AISI 316 or AISI 1040. |

Sealing gasket

- EPDM
Suitable for water, air and some chemical products. From -20°C to 100°C.
- NBR
Suitable for fuel, gas and some hydrocarbons. From -20°C to 80°C.
- Viton
Suitable for several chemicals. From -40°C to 220°C.
- Silicone
Silicone Suitable for drinking water and domestic water. From -55°C to 200°C.

Following types of damage can be repaired



| DN | Width (mm) | | | Working pressure | Torque | |
|------|------------|------|------|------------------|--------|--------|
| | 20cm | 30cm | 40cm | | N.m | lbf.ft |
| 110 | x | x | | 24 | 50 | 37 |
| 125 | x | x | | 24 | 50 | 37 |
| 140 | x | x | | 24 | 50 | 37 |
| 160 | x | x | | 24 | 50 | 37 |
| 180 | x | x | x | 24 | 55 | 41 |
| 200 | | x | x | 24 | 55 | 41 |
| 225 | | x | x | 16 | 55 | 41 |
| 250 | | x | x | 16 | 60 | 44 |
| 280 | | x | x | 16 | 60 | 44 |
| 315 | | x | x | 16 | 65 | 48 |
| 355 | | x | x | 16 | 65 | 48 |
| 400 | | x | x | 16 | 70 | 52 |
| 450 | | | x | 12 | 75 | 55 |
| 500 | | | x | 12 | 75 | 55 |
| 560 | | | x | 12 | 80 | 59 |
| 630 | | | x | 12 | 90 | 66 |
| 710 | | | x | 10 | 95 | 70 |
| 800 | | | x | 10 | 115 | 85 |
| 900 | | | x | 10 | 135 | 100 |
| 1000 | | | x | 10 | 145 | 107 |

Advantages

- Easy to fit
- Light weight
- Fast to fit
- Storage space saving
- Cost saving installation

*Large ,different diameters can be produced on request, please ask our sales department.