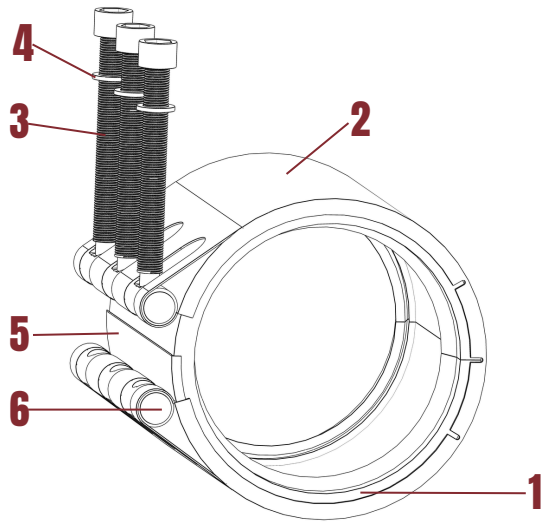


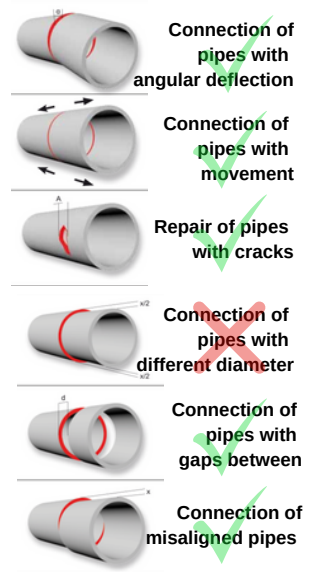


# GCRO ONE SECTION REPAIR COUPLING TECHNICAL DETAILS



No	Description	Explain
1	Gasket	EPDM, NBR, Viton or Silicone.
2	Body	Stainless steel AISI 304 or AISI 316.
3	Bolt	Stainless steel AISI 304, AISI 316 or 12.9 Steel.
4	Washer	Brass
5	Armour Sheet	Stainless steel AISI 304 or AISI 316.
6	Milbar	Stainless steel AISI 304, AISI 316 or AISI 1040.

### Following types of damage can be repaired



## Sealing gasket

- EPDM**  
 Suitable for water, air and some chemical products. From -20°C to 100°C.
- NBR**  
 Suitable for fuel, gas and some hydrocarbons. From -20°C to 80°C.
- Viton**  
 Suitable for several chemicals. From -40°C to 220°C.
- Silicone**  
 Silicone Suitable for drinking water and domestic water. From -55°C to 200°C.

## Advantages

- Easy to fit
- Light weight
- Fast to fit
- Storage space saving
- Cost saving installation



# GCRO REPAIR COUPLING TECHNICAL DETAILS

Range	Width	Pressure		Milbars	Bolt	Torque	
		bar	psi			N.m	lbf.ft
mm	mm			mm	M x pcs.		
60-63	95	30	435	14	M8x4	30	22
63-66	95	30	435	14	M8x4	30	22
66-69	95	30	435	14	M8x4	30	22
69-73	95	30	435	14	M8x4	30	22
73-77	95	30	435	14	M8x4	30	22
77-81	95	30	435	14	M8x4	30	22
80-84	95	24	348	14	M8x4	30	22
83-87	95	24	348	14	M8x4	30	22
87-91	95	24	348	14	M8x4	30	22
91-95	120	24	348	18	M10x4	30	22
94-98	120	24	348	18	M10x4	30	22
98-102	120	24	348	18	M10x4	30	22
99-105	120	24	348	18	M10x4	30	22
104-110	120/200	24	348	18	M10x4/6	30	22
109-115	120/200	24	348	18	M10x4/6	30	22
114-120	120/200	24	348	18	M10x4/6	30	22
119-125	120/200	24	348	18	M10x4/6	30	22
124-130	120/200	24	348	18	M10x4/6	35	26
129-135	120/200	24	348	18	M10x4/6	35	26
134-140	120/200	24	348	18	M10x4/6	35	26
139-145	120/200	24	348	18	M10x4/6	35	26
144-150	120/200	24	348	18	M10x4/6	35	26
148-158	140/200	20	290	18	M12x4/6	35	26
158-168	140/200	20	290	18	M12x4/6	35	26
168-178	140/200	20	290	18	M12x4/6	40	30
178-188	140/200	20	290	18	M12x4/6	40	30
188-198	140/200	20	290	18	M12x4/6	40	30
198-208	140/200	20	290	22	M12x4/6	40	30
208-218	140/200	18	261	22	M12x4/6	40	30
218-228	140/200	18	261	22	M12x4/6	40	30
228-238	140/200	16	232	22	M12x4/6	45	33
238-248	140/200	16	232	22	M12x4/6	45	33
248-258	140/200	16	232	22	M12x4/6	45	33
258-268	140/200	16	232	22	M12x4/6	45	33
268-278	140/200	12	174	22	M12x4/6	45	33
278-288	140/200	12	174	22	M12x4/6	45	33
288-298	140/200	12	174	22	M12x4/6	45	33
298-308	140/200	12	174	22	M12x4/6	50	37
308-318	140/200	12	174	22	M12x4/6	50	37
318-328	140/200	12	174	22	M12x4/6	50	37

\*Large ,different diameters can be produced on request, please ask our sales department.