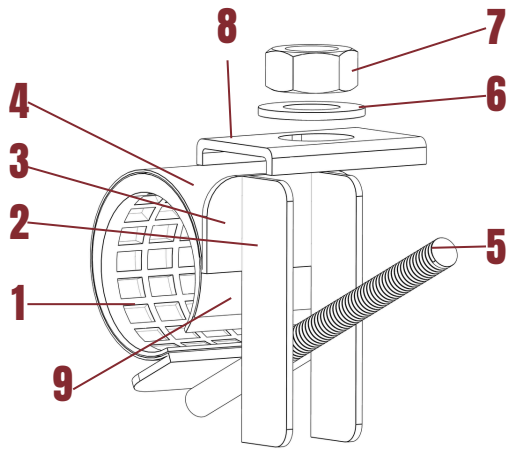


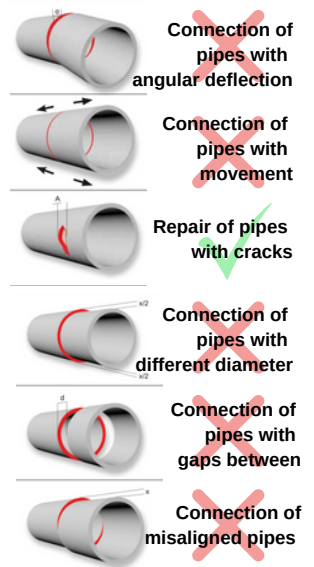


GMC MINI EASY REPAIR CLAMP TECHNICAL DETAILS



No	Description	Explain
1	Gasket	EPDM,NBR or Viton.
2	Guide Sheet	Stainless steel AISI 304 or AISI 316.
3	Support Sheet	Stainless steel AISI 304 or AISI 316.
4	Body	Stainless steel AISI 304 or AISI 316.
5	Bolt	Stainless steel AISI 304 or AISI 316.
6	Washer	Stainless steel AISI 304 or AISI 316.
7	Nut	Stainless steel AISI 304 or AISI 316.
8	"U" Sheet	Stainless steel AISI 304 or AISI 316.
9	Armour Sheet	Stainless steel AISI 304 or AISI 316.

Following types of damage can be repaired



Sealing gasket

- EPDM**
 Suitable for water, air and some chemical products. From -20°C to 100°C.
- NBR**
 Suitable for fuel, gas and some hydrocarbons. From -20°C to 80°C.
- Viton**
 Suitable for several chemicals. From -40°C to 220°C.

Advantages

- Easy to fit
- Light weight
- Fast to fit
- Storage space saving
- Cost saving installation

RANGE	Bolt	Torque	Working Pressure
DN15-DN40	M10	55-75 NM	16bar - 232PSI
DN40-DN60	M12	85-110 NM	16bar - 232PSI

*Large ,different diameters and bigger lengths can be produced on request, please ask our sales department.