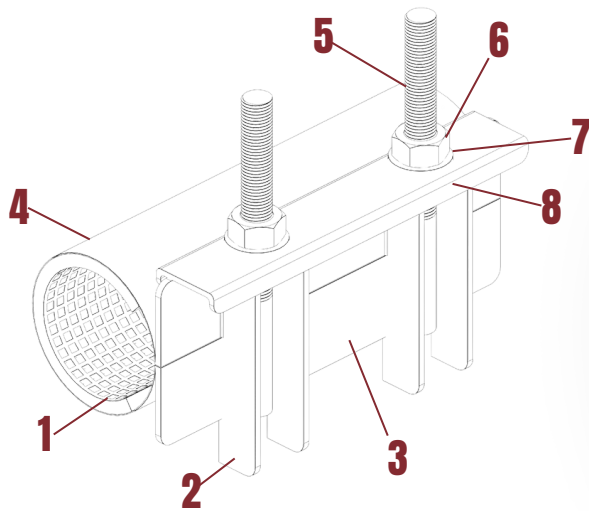


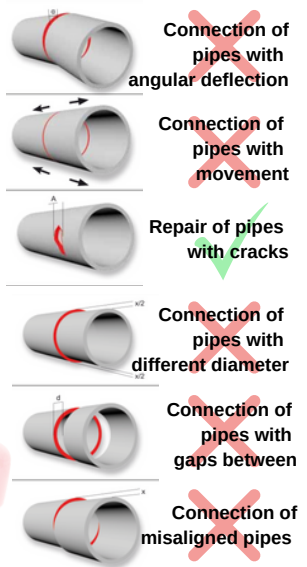


GRC10S SIMPLE CLAMP ONE SECTION TECHNICAL DETAILS



No	Description	Explain
1	Gasket	EPDM,NBR or Viton.
2	Guide Sheet	Stainless steel AISI 304 or AISI 316.
3	Support Sheet	Stainless steel AISI 304 or AISI 316.
4	Body	Stainless steel AISI 304 or AISI 316.
5	Bolt	Stainless steel AISI 304 or AISI 316.
6	Washer	Stainless steel AISI 304 or AISI 316.
7	Nut	Stainless steel AISI 304 or AISI 316.
8	"U" Sheet	Stainless steel AISI 304 or AISI 316.

Following types of damage can be repaired



Sealing gasket

- EPDM
Suitable for water, air and some chemical products. From -20°C to 100°C.
- NBR
Suitable for fuel, gas and some hydrocarbons. From -20°C to 80°C.
- Viton
Suitable for several chemicals. From -40°C to 220°C.

Advantages

- Easy to fit
- Light weight
- Fast to fit
- Storage space saving
- Cost saving installation

RANGE	Bolt	Torque	Working Pressure
DN40-DN50	M12	85-110 NM	20bar - 290PSI
DN50-DN200	M14	110-130 NM	16bar - 232PSI
DN200-DN350	M16	130-150 NM	10bar-145PSI

*Large ,different diameters and bigger lengths can be produced on request, please ask our sales department.