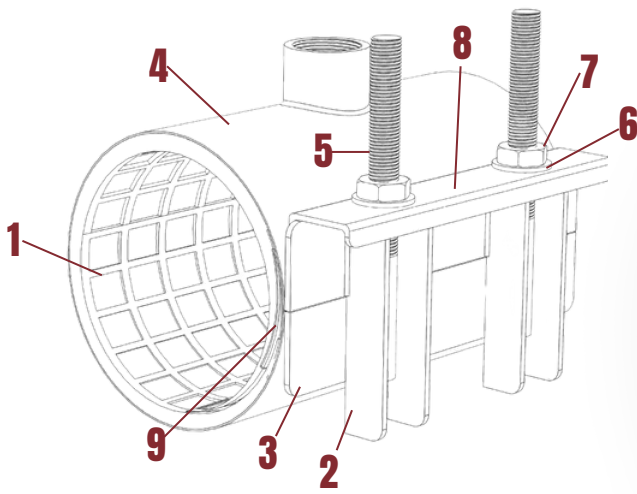


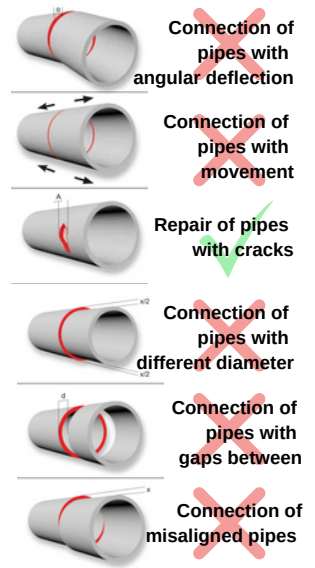


GRC12 OUTLET EASY REPAIR CLAMP TECHNICAL DETAILS



No	Description	Explain
1	Gasket	EPDM,NBR or Viton.
2	Guide Sheet	Stainless steel AISI 304 or AISI 316.
3	Support Sheet	Stainless steel AISI 304 or AISI 316.
4	Body	Stainless steel AISI 304 or AISI 316.
5	Bolt	Stainless steel AISI 304 or AISI 316.
6	Washer	Stainless steel AISI 304 or AISI 316.
7	Nut	Stainless steel AISI 304 or AISI 316.
8	"U" Sheet	Stainless steel AISI 304 or AISI 316.
9	Armour Sheet	Stainless steel AISI 304 or AISI 316.

Following types of damage can be repaired



Sealing gasket

- EPDM
Suitable for water, air and some chemical products. From -20°C to 100°C.
- NBR
Suitable for fuel, gas and some hydrocarbons. From -20°C to 80°C.
- Viton
Suitable for several chemicals. From -40°C to 220°C.

Diameter in Inches	Required Body Length	PN	Available From Range On GRC10
1/2	150	16	60-67
3/4	200	16	60-67
1	200	16	60-67
1 1/4	200	16	87-94
1 1/2	300	16	87-94
2	300	16	108-118
2 1/2	300	16	-
3	400	16	-
4	400	16	-

Advantages

- Easy to fit
- Light weight
- Fast to fit
- Storage space saving
- Cost saving installation

*The outlet is produced by selecting the clamp according to the desired diameter from the table above.

*Large, different diameters and bigger lengths can be produced on request, please ask our sales department.