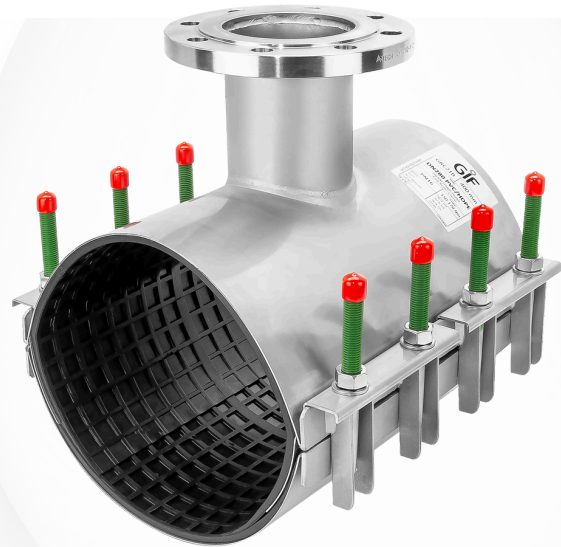
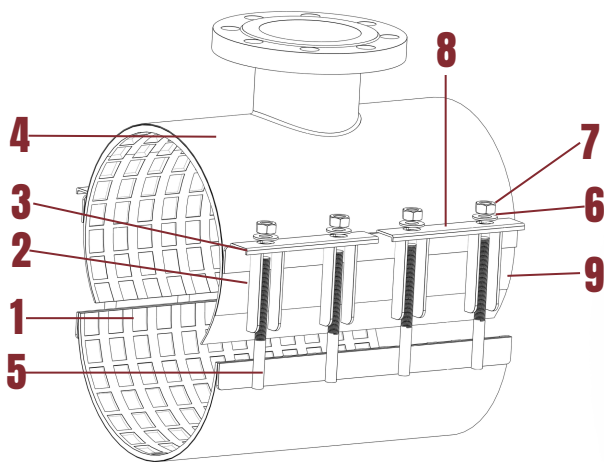




# GRC21 TAPPING TEE EASY REPAIR CLAMP TECHNICAL DETAILS



No	Description	Explain
1	Gasket	EPDM,NBR or Viton.
2	Guide Sheet	Stainless steel AISI 304 or AISI 316.
3	Support Sheet	Stainless steel AISI 304 or AISI 316.
4	Body	Stainless steel AISI 304 or AISI 316.
5	Bolt	Stainless steel AISI 304 or AISI 316.
6	Washer	Brass
7	Nut	Stainless steel AISI 304 or AISI 316.
8	"U" Sheet	Stainless steel AISI 304 or AISI 316.
9	Armour Sheet	Stainless steel AISI 304 or AISI 316.

## Sealing gasket

- EPDM  
Suitable for water, air and some chemical products. From -20°C to 100°C.
- NBR  
Suitable for fuel, gas and some hydrocarbons. From -20°C to 80°C.
- Viton  
Suitable for several chemicals. From -40°C to 220°C.

Branch DN	Required Body Length	Flange Diriling	Avaiable From Range On GRC20
DN50	200	PN 10/16	98-108
DN65	300	PN 10/16	98-108
DN80	400	PN 10/16	135-155
DN100	400	PN 10/16	155-175
DN125	400	PN 10/16	176-196
DN150	400	PN 10/16	215-235
DN200	500	PN 10	310-330
DN250	600	PN 10	344-364
DN300	800	PN 10	450-470

### Advantages

- Easy to fit
- Light weight
- Fast to fit
- Storage space saving
- Cost saving installation

\*The tapping tee is produced by selecting the clamp according to the desired diameter from the table above.  
 \*Large ,different diameters and bigger lengths can be produced on request, please ask our sales department.